

# PHOTOGRAPHY

## DEPARTMENT 570

### ENTRIES:

- **Entry Forms Accepted through Saturday, August 7, 2021 by 5 PM**
- **NO ENTRY FEES: SWEEPSTAKE AWARDS ONLY**
- Exhibits to fair on Friday, August 20, 2021 between 4-7 PM or Saturday, August 21, 2021, between 1 – 5 PM. Pick up Exhibitor Tags before going to building.
- Exhibits picked up on Monday September 6, 2021, 6:30-7:30 PM or Tuesday September 7, 2021, 8-12 Noon

### RULES AND INFORMATION:

- **LIMIT OF 15 ENTRIES PER EXHIBITOR. NO MORE THEN 10 SNAP SHOT ENTRIES.**
- **PROFESSIONAL NOT ALLOWED TO ENTER INTO SNAP SHOTS.**
- Limited to residents of Mariposa County and Eastern Madera County (east of Madera Canal).
- Judging will be closed.
- Photographs shall have been taken within 24 months preceding the fair and must not have been previously exhibited at Mariposa County Fair.
- For exhibit purposes, enlargements and snapshots are considered separate entries and maximum number allowed apply to each as a separate entity.
- **IN THE EVENT THAT THE MAXIMUM AMOUNT OF PHOTOS TO BE DISPLAYED IS EXCEEDED, ONLY PLACING PHOTOS WILL BE DISPLAYED.**
- **NO DATES ON ENLARGEMENTS.**
- Exhibitor may not write on the exhibit tag provided by the fair or on the front of the picture or mounting board.
- Exhibitors may show above present level but cannot return to former status. May exhibit in only one entry level per year.
- **DEFINITION OF ENTRY LEVELS:**
  - **Novice/Intermediate:** Exhibitors who have been exhibiting in this division for one to three years. If won a Best of Show, must exhibit in advanced.
  - **Advanced:** Exhibitors who have been exhibiting in this division for four or more years.
  - **Professional:** Those who have sold any photography or had prior sales of photography. May not show in any other Entry Level.

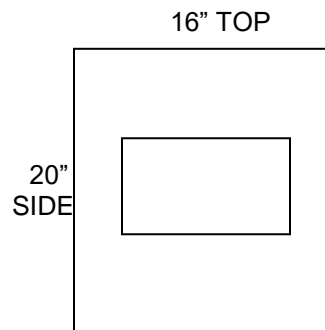
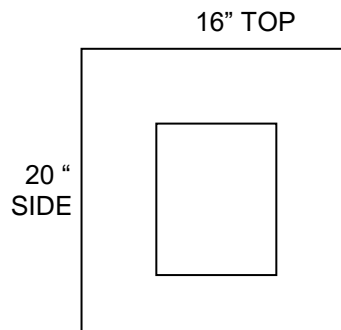
### AWARDS:

- Judging: American System of Judging
- Sweepstake Awards: \$20~15~10

### ENLARGEMENTS

LIMIT: MAXIMUM OF 15 PER EXHIBITOR.

- Enlargements must contain a minimum of 7" x 9" (63 square inches) to a maximum of 11" x 17" (187 square inches) of picture mounted on a standard white mounting board. **NO MATT BOARD.**
- **NO BORDERS ON ENLARGEMENTS OR PRINTS, INCLUDING BLACK & WHITE**
- For display purposes, mounting board must measure 20" tall by 16" wide. Tall is vertical; wide is horizontal. **Mounting board must be 1/16 inch thickness.**
- One picture per mounting board, securely fixed. No double boards.
- No Frontal Nudity will be allowed.
- No dates on prints



## **NOVICE/INTERMEDIATE-CLASS A**

**LOT**  
**BW/COLOR ENLRG**

**DESCRIPTION**

- |    |  |
|----|--|
| 1  | Action/Photo Journalism                      |
| 2  | Animals                                      |
| 3  | Architecture, historical                     |
| 4  | Birds or Fowl                                |
| 5  | Children                                     |
| 6  | Flowers                                      |
| 7  | Humor  |
| 8  | Insects or Reptiles                          |
| 9  | Landscape, natural                           |
| 10 | Landscape, city, and or Town                 |
| 11 | People                                       |
| 12 | Plant Life/Natural Environment, (NO Flowers) |
| 13 | Seascape/Marine Life                         |
| 14 | Special Occasion,                            |
| 15 | Still Life                                   |
| 16 | Sunrise, Sunset, Clouds                      |
| 17 | Yosemite                                     |
| 18 | Fair Theme: "Remember When"                  |
| 19 | Any Other                                    |

## **ADVANCED-CLASS B**

- |    |  |
|----|--|
| 20 | Action/Photo Journalism                      |
| 21 | Animals                                      |
| 22 | Architecture, historical                     |
| 23 | Birds or Fowl                                |
| 24 | Children                                     |
| 25 | Flowers                                      |
| 26 | Humor  |
| 27 | Insects or Reptiles                          |
| 28 | Landscape, natural                           |
| 29 | Landscape, City, and or Town                 |
| 30 | People                                       |
| 31 | Plant Life/Natural Environment, (NO Flowers) |
| 32 | Seascape/Marine Life                         |
| 33 | Special Occasion                             |
| 34 | Still Life                                   |
| 35 | Sunrise, Sunset, Clouds                      |
| 36 | Yosemite                                     |
| 37 | Fair Theme: "Remember When"                  |
| 38 | Any Other                                    |



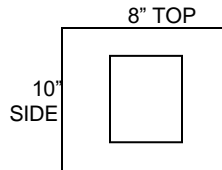
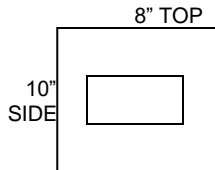
**MAXIMUM SIZE 12 INCHES BY 18 INCHES (216 SQUARE INCHES).  
MOUNTED ON 16 X 20 MOUNTING BOARD**

**PROFESSIONAL-CLASS C**

- 39 Action/Photo Journalism
- 40 Animals
- 41 Architecture, historical
- 42 Birds or Fowl
- 43 Children
- 44 Flowers
- 45 Humor
- 46 Insects or Reptiles
- 47 Landscape, natural
- 48 Landscape, city, and or Town
- 49 People
- 50 Plant Life/Natural Environment, (NO Flowers)
- 51 Seascape/Marine Life
- 52 Special Occasion
- 53 Still Life
- 54 Sunrise, Sunset, Clouds
- 55 Yosemite
- 56 Fair Theme: "Remember When"
  
- 57 Any Other

**SNAPSHOTS-CLASS D**  
**LIMIT OF 10 ENTRIES ONLY**

Snapshots must contain a minimum of 4" x 6" (24 square inches) to a maximum of 5" x 7" (35 square inches) of photo. Individual snapshots are to be mounted on white mounting board which measures 10" tall by 8" wide. Tall is vertical; wide is horizontal. Mounting Board must be 1/16 inch thickness only!  
One picture per mounting board, no double boards.  
No dates on snapshots



- 58 Action/Photo Journalism
- 59 Animals
- 60 Architecture, historical
- 61 Birds or Fowl
- 62 Children
- 63 Flowers
- 64 Humor
- 65 Insects or Reptiles
- 66 Landscape, natural
- 67 Landscape, city, and or Town
- 68 People
- 69 Plant Life/Natural Environment, (NO Flowers)
- 70 Seascape/Marine Life
- 71 Special Occasion
- 72 Still Life
- 73 Sunrise, Sunset, Clouds
- 74 Yosemite
- 75 Fair Theme: "Remember When"
  
- 76 Any Other,
- 77 Picture from Game Camera